

HOEFLON

C6

**POWERFUL
ALL-ROUNDER**



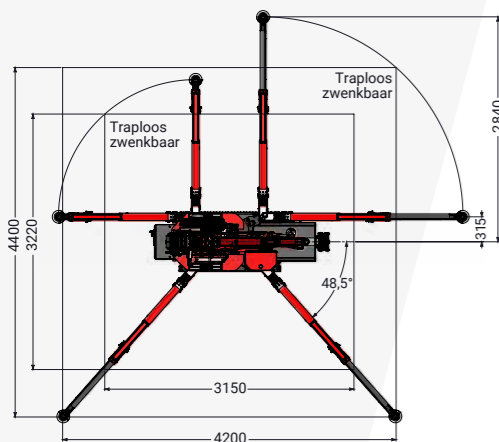
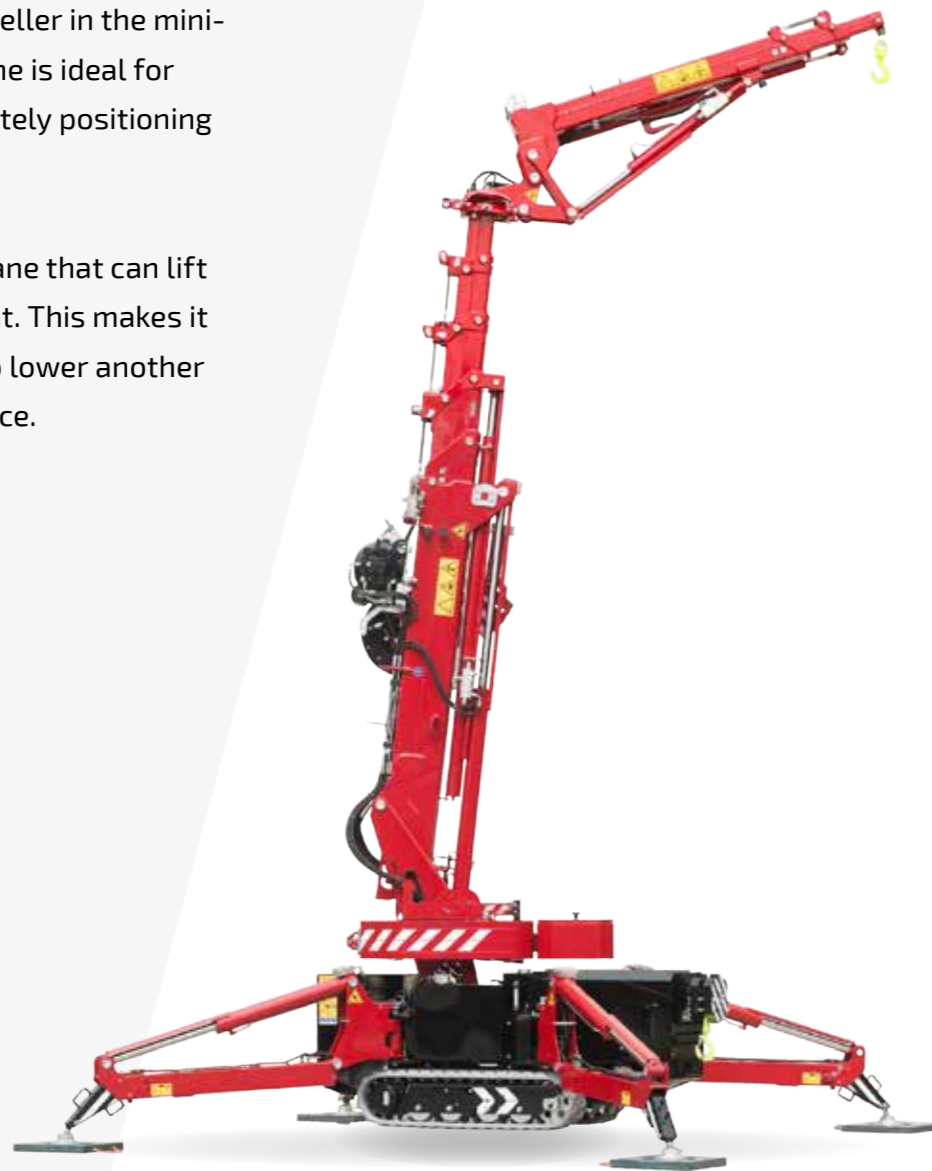
HOEFLON[®]



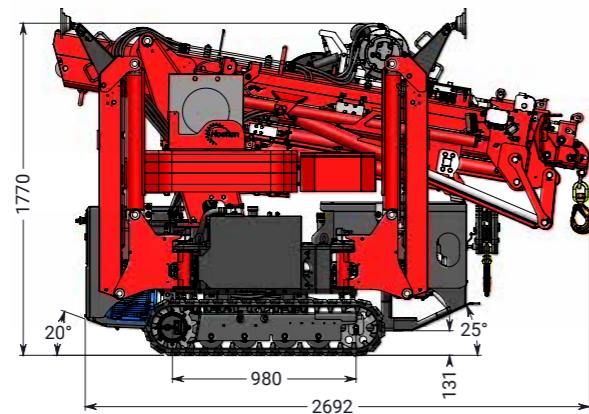
HOEFLON C6

Multifunctional, robust and very simple operation – that's the C6 compact crane in a nutshell. It's a best seller in the mini-crane category. This crane is ideal for placing glass and accurately positioning steel beams.

It is the only compact crane that can lift more than its own weight. This makes it possible for one crane to lower another into an underground space.



Standard



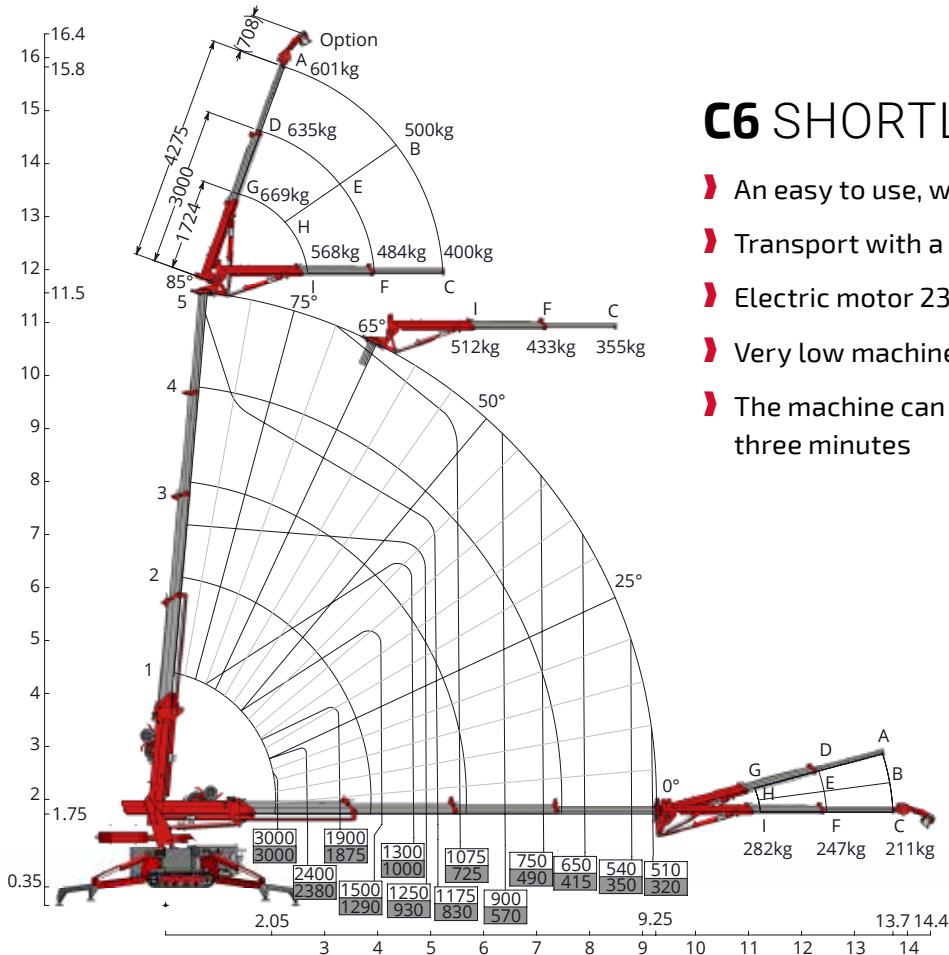
Standard configuration

Capacity	3,000 kg
Boom outreach	9.25 m, and 13.7 m with options
Hoisting height max. without jib	11.5 m, and 17 m with options
Transport dimensions LxWxH	2.9 m x 0.75 m x 1.82 m
Total weight	2,650 kg, and 2,850 kg with options
Boom angle	-5° to 83°
Boom system	cylinder and chain system
Slewing angle	360°
Driving speed	1st gear: 1.1 km/h 2nd gear: 2.2 km/h
Engine	Yanmar 3-cylinder diesel
Inclination angle, driving	20°
Outrigger pressure	2,800 kg per outrigger
Ground pressure, tracks	0.79 kg/cm ²
Extendible, removable ballast	600 kg
Noise	75 dB

Accessories/Options

Dimensions including winch and jib	3.14 m x 0.75 m x 1.95 m
Fly jib 1	4.3 m
Winch 2	1,000 kg, 2,000 kg and 3,000 kg
Hoisting speed with winch	20.8 m/min
Winch cable	40 m long
Extension section 3	30° adjustable
Electric motor	230 V single phase
Outriggers	position measuring system for steplessly swivelling outriggers
Outriggers 4	bend
Outriggers	hydraulically extending stepless
Slewing	unlimited
Crawler 5	non-marking
Lighting	work light on boom and jib
Storage box 6	extra storage box
Speed controller	900 to 1,700 rpm





C6 SHORTLY

- › An easy to use, wirelessly remote controlled machine
- › Transport with a trailer, 3.500 kg
- › Electric motor 230 V
- › Very low machine weight with high hoisting capacity
- › The machine can be operational at 16 metres within three minutes

With fly-jib

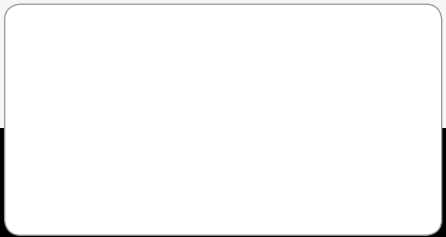
No rights can be derived from the information stated here.



WHY HOEFLON?

Hoeflon transport solutions are extremely versatile, making them perfect for moving heavy materials in close quarters or difficult-to-reach areas at project sites. We are happy to offer advice concerning the best solution for your situation. Ask us about the possibilities!

Your Hoeflon® dealer ▶



HOEFLON®

Hoeflon International B.V.

address Zwolleweg 2 3771 NR Barneveld, The Netherlands

tel. +31 (0)342 400288 email info@hoeflon.com

Made in Holland

HOEFLON.COM